

## SERIES - MI-H-DHDM

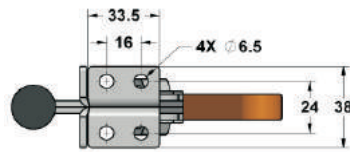
### DOWN HANDLED DUAL MOUNT

This model handle looks downward, and comes with two mounting areas. These clamps allow users to mount the clamp on the side of the Fixtures to save the precious work surface for other uses. Clamp runs with specially designed pre-lubricated bushes for long life cycle. Clamp runs with specially designed pre-lubricated bushes for long life cycle. Silicon rubber grip having large grip surface with oil & heat resistance.

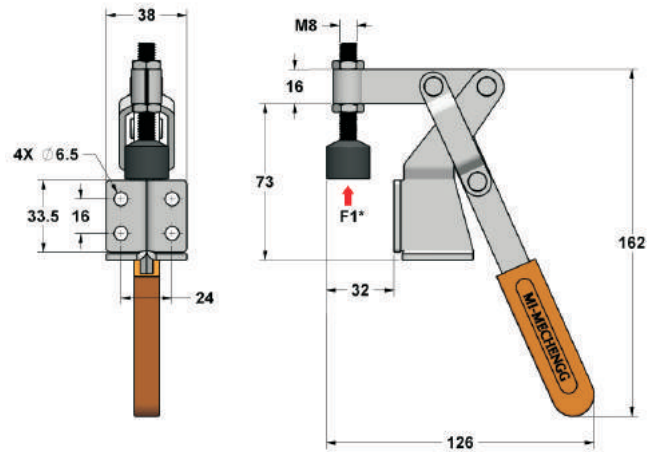
- Material : Steel
- Surface Finish : Electro Zinc - Plated
- Hand Grip : Silicon Rubber
- Clamping Bolt : 8.8 Grade Moulded with NBR



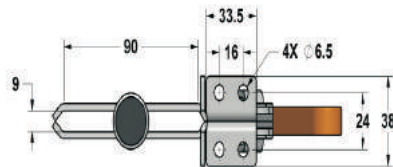
**Compact fixed arm**  
**MI-HDH-150-DCF**



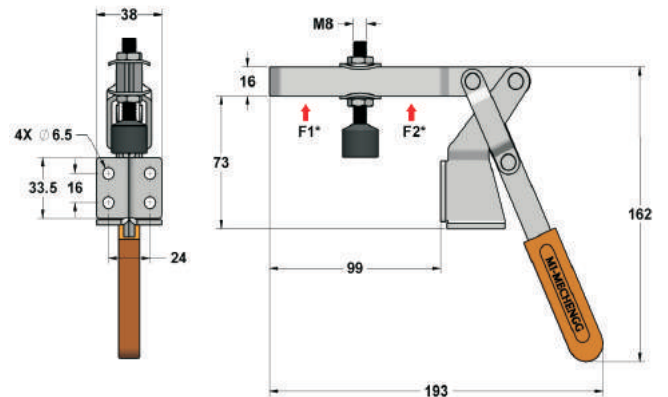
↑ F1\* :1250 (N)  
Arm opens : 79°  
Handle moves : 136°  
Approx  $\triangle$  (kg's) : 0.445  
Spindle supplied : NTS-H150



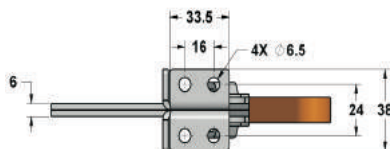
**Extended U shaped arm**  
**MI-HDH-150-DEU**



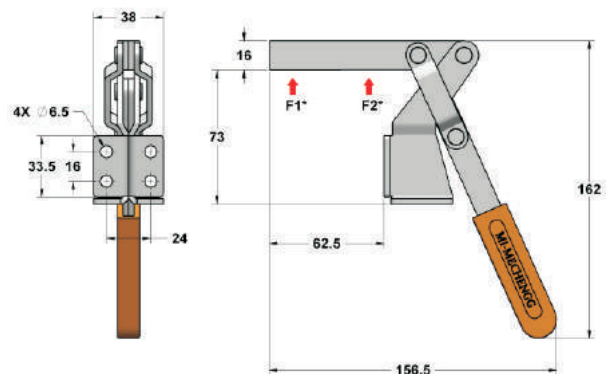
↑ F1\* :0750 ↑ F2\* :2000 (N)  
Arm opens : 79°  
Handle moves : 136°  
Approx  $\triangle$  (kg's) : 0.495  
Spindle supplied : NTS-H150



**Solid shaped arm**  
**MI-HDH-150-DS**



↑ F1\* : 0750 ↑ F2\* : 2000 (N)  
Arm opens : 79°  
Handle moves : 136°  
Approx  $\triangle$  (kg's) : 0.485  
Spindle supplied : NTS-H150  
Spindle Retainer : SRH-150



## SERIES - MI-H-DHDM

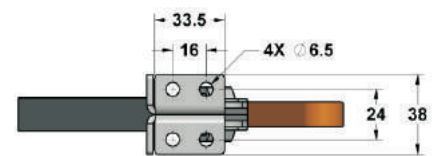
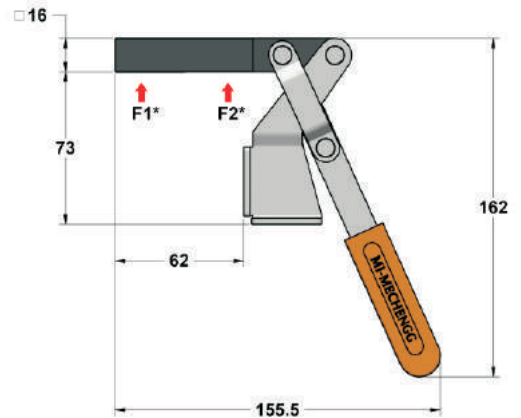
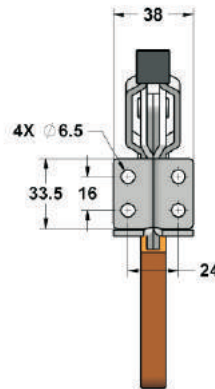
### DOWN HANDLED DUAL MOUNT

This model handle looks downward, and comes with two mounting areas. These clamps allow users to mount the clamp on the side of the fixtures to save the precious work surface for other uses. Clamp runs with specially designed pre-lubricated bushes for long life cycle. Clamp runs with specially designed pre-lubricated bushes for long life cycle. Silicon rubber grip having large grip surface with oil & heat resistance.

- Material : Steel
- Surface Finish : Electro Zinc - Plated
- Hand Grip : Silicon Rubber
- Clamping Bolt : 8.8 Grade Moulded with NBR



**Solid bar**  
**MI-HDH-150-DSB**

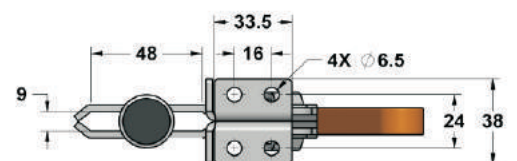
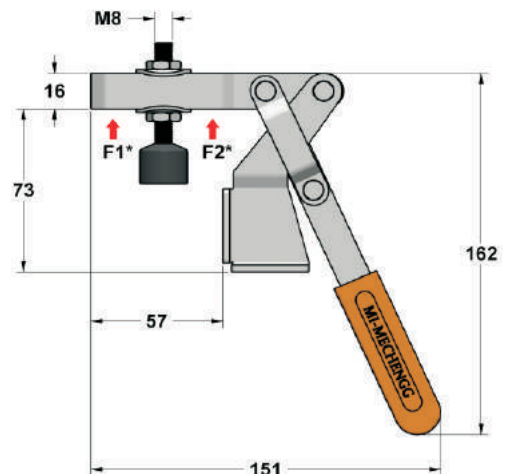
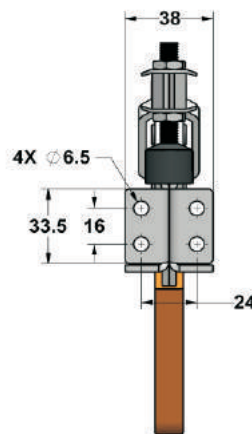


↑ F1\* : 1000 ↑ F2\* : 2500 (N)  
 Arm opens : 79°  
 Handle moves : 136°  
 Approx  $\triangle$  (kg's) : 0.550

★ Spindle to be ordered separately



**U shaped arm**  
**MI-HDH-150-DU**



↑ F1\* : 0750 ↑ F2\* : 2000 (N)  
 Arm opens : 79°  
 Handle moves : 136°  
 Approx  $\triangle$  (kg's) : 0.465  
 Spindle supplied : NTS-H150